

**TECHNICAL PASSPORT
OF
TRUNNION BALL VALVE**

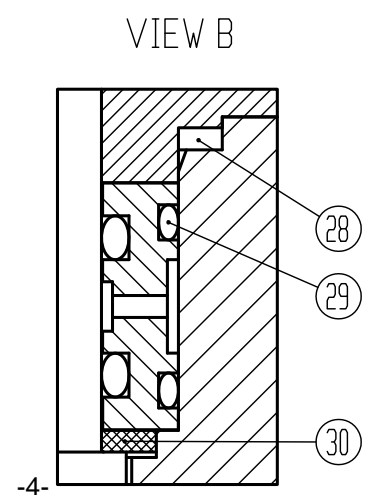
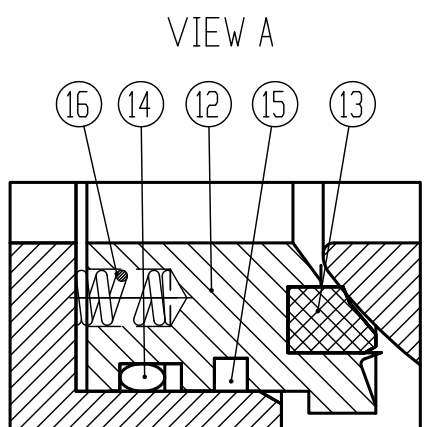
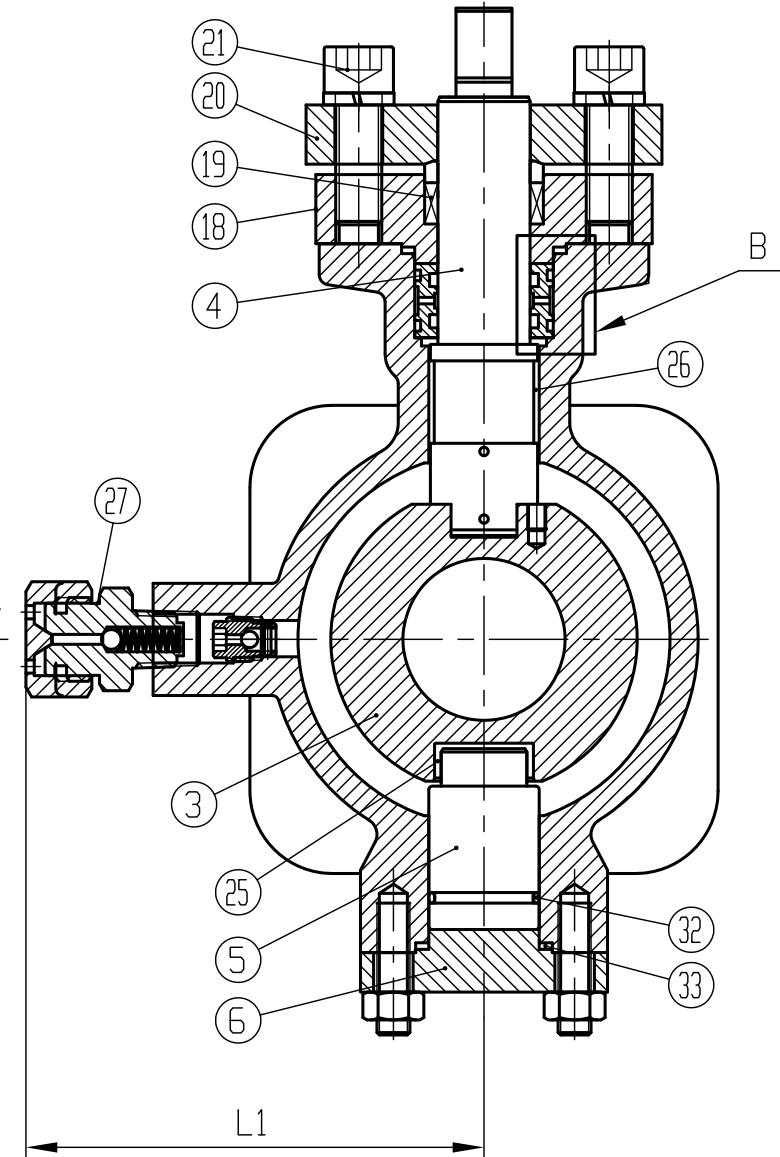
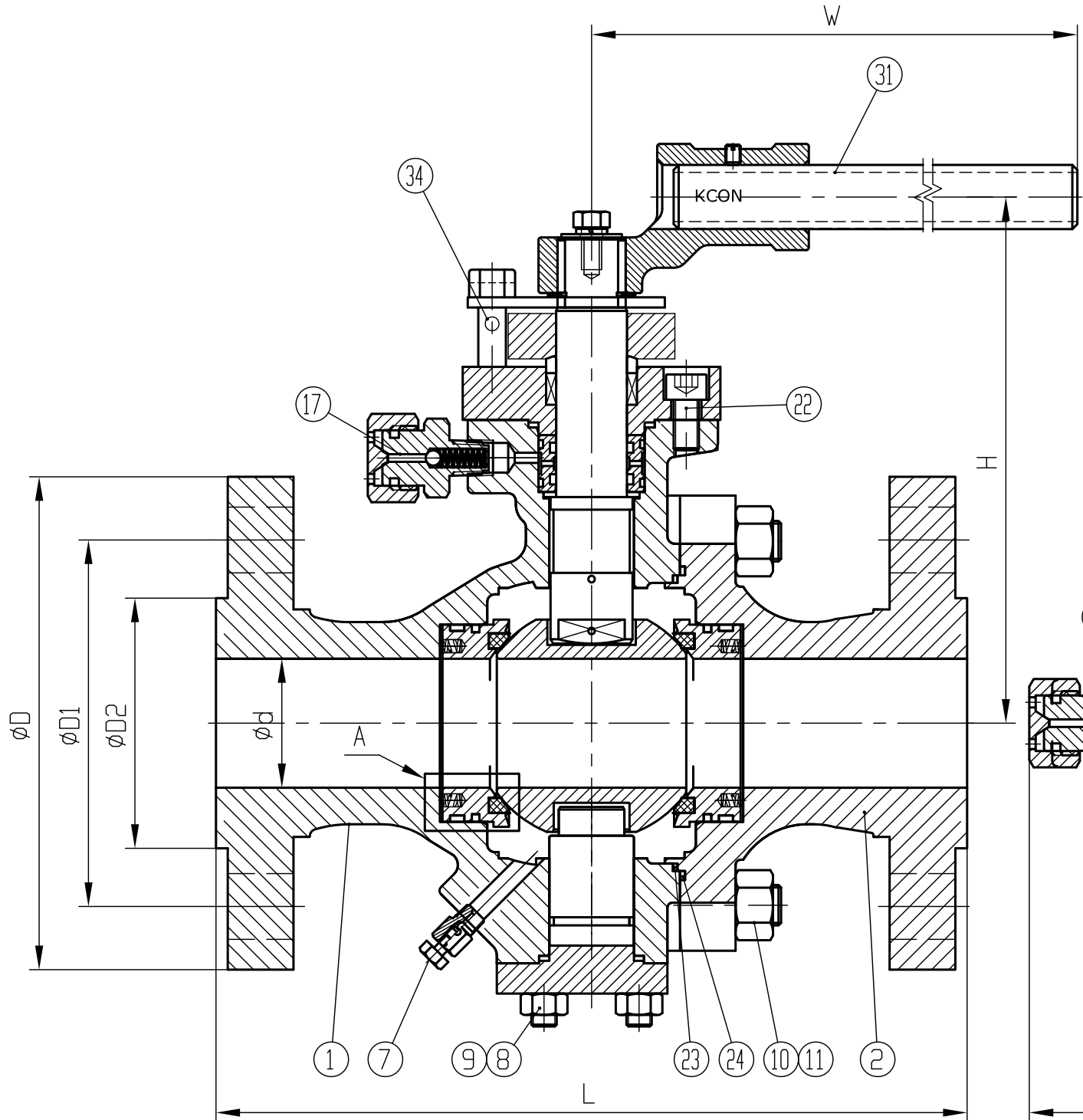
Table of valve information

No.	PO#	Valve	Tag No.	Serial No.	Size	Class	Body Material	Drawing No.	Qty
1	27/16-22-759	Ball valve	BV3303, BV3304	W-14793-1~2	2"	600LB	A351 CF8M	KHE-22-1252-P3 REV.2	2

Dimensions in Millimetres													
NPS	Class	d	D2	D1	D	f	T	N-ØM	L	L1	W	H	Weight(Kg)
2"	600LB	49	91.9	127	165	6.4	25.4	8-Ø19	292	150	410	210	25

Size	TAG
2"	BV3303, BV3304

1. Pressure test: API598.
2. Pressure-temperature rating values: 9.93MPa@-120°C / 7.7MPa@150°C
3. Medium: natural gas.
4. The resultant surface finish of flanges: from 125 to 250 AARH



NO.	DESCRIPTION	MATERIAL	REMARK
34	Locking Device	Stainless steel	
33	Spiral Wound Gasket	SS316+Graphite	
32	O Ring	VITON AED	
31	Lever	C.S	
30	Thrust Bearing	SS304+R.PTFE	
29	O Ring	VITON AED	
28	Spiral Wound Gasket	SS316+Graphite	
27	Greaser	A276 304	
26	Bearing	SS304+R.PTFE	
25	Bearing	SS304+R.PTFE	
24	Spiral Wound Gasket	SS316+Graphite	
23	O Ring	VITON AED	
22	Bolt	A193 B8M	
21	Bolt	A193 B8M	
20	Gland Flange	A351 CF8	
19	Packing	Graphite	
18	Top Flange	A351 CF8M	
17	Greaser	A276 304	
16	Spring	X750	
15	Gasket	Graphite	
14	O Ring	VITON AED	
13	Seat	R.PTFE	
12	Seat Ring	A182 F316	
11	Nut	A194 8M	
10	Stud	A193 B8M	
9	Nut	A194 8M	
8	Stud	A193 B8M	
7	Drain Valve	A276 304	
6	Lower Cap	A182 F304	
5	Lower Stem	A182 F316	
4	Upper Stem	A182 F316	
3	Ball	A182 F316	
2	Closure	A351 CF8M	
1	Body	A351 CF8M	

TECHNICAL STANDARD			
DESIGN	ISO 17292		
FACE TO FACE	ASME B16.10		
FIRESAFE DESIGN	Yes, according to API 607	END CONNECTION	RF-ASME B16.5
INSPECTION	API 598	ANTI BLOW STEM	Yes
SOUR SERVICE	NACE MR 0175	ANTI STATIC DEVICE	Yes
CLIENT	TURBOGAZ		
CLIENT REF #	Mail 2022-7-20		
PROJECT	project 759		

Trunnion Ball Valve		KCON JOB #	22-KQ1252
(Size/Class See Left-Up Corner)		Drawing #	KHE-22-1252-P3 REV:2
Design	Z.Y	Review	F.C
Approval	L.PJ	2023-06-01	

